

DOOR TRIGGER SENSOR SWITCH

MODEL: MSV1260

INSTRUCTIONS FOR EXPLOITATION

THE INSTALLATION SHOULD BE DONE BY A QUALIFIED ELECTRICIAN ACCORDING TO THE INSTRUCTION. PLEASE, KEEP THE INSTRUCTION.

TECHNICAL SPECIFICATIONS

Voltage:	12 V DC
Rated load:.....	60 W
Max. Output current:.....	5 A
Detection distance:	5 cm
Detection Range	10°
IP rate:	IP20

SAFETY INSTRUCTIONS

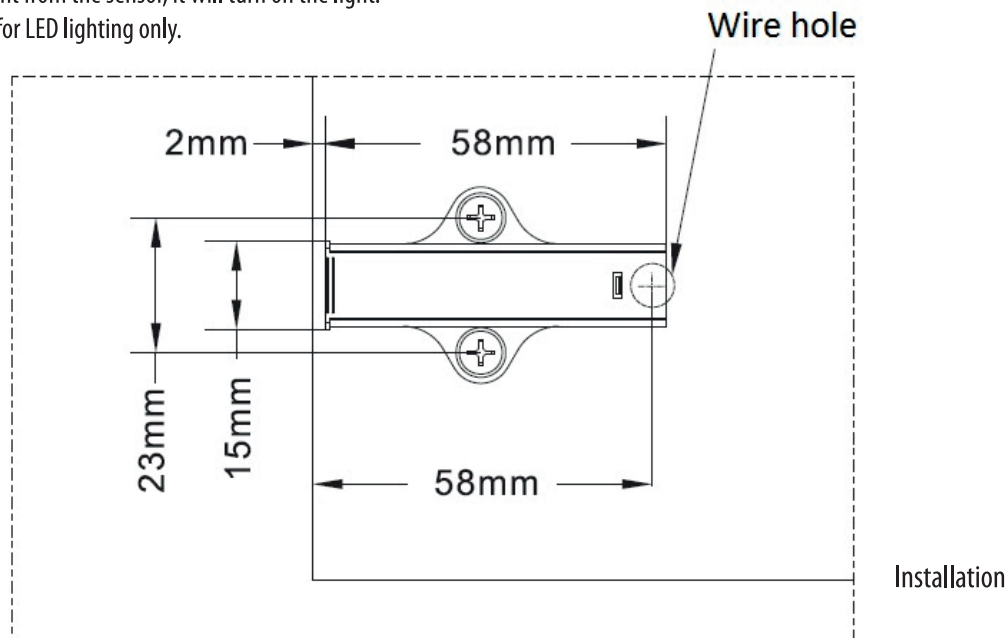
- Performing any activity with the power supply on constitutes potential hazard of electric shock. Prior to mounting, power supply must be switched off by using the main switch.
- The sensor, when properly assembled, may only be connected to a properly functioning electrical system with compliance with the applicable standards.
- All conductors and fitting auxiliary components are to be placed on appropriate distance from the heating parts of the fitting. When choosing the place for mounting, the required minimum distance must be kept between the fitting and the lightened objects.
- The importer/supplier bears no responsibility for damages resulting from failure to comply with these instructions.

DESCRIPTION

The proximity sensor is a miniature infrared sensor. It monitors the position of moving objects (doors, drawers) and switches on / off the electrical circuit (LED) in which it is connected. Its main application is automation of LED lighting for furniture (cabinets, wardrobes, shelves, drawers, buffets, etc.).

INSTALLATION

1. Drill an opening directly to the power cable sensor, Ø8 mm in size.
2. Using appropriate fasteners, install the sensor at a distance of 2 mm from the edge of the mounting surface.
3. Connect the OUTPUT connector of the sensor to the load and the INPUT connector to an LED power supply.
4. When sensing movement from the sensor, it will turn on the light.
5. The sensor is designed for LED lighting only.



TAKING CARE OF THE NATURAL ENVIRONMENT CLEANLINESS

The product and its components are not harmful to the environment.
Please dispose the package elements separately in containers for the corresponding material.



Please dispose the broken product separately in containers for out of usage electrical equipment.